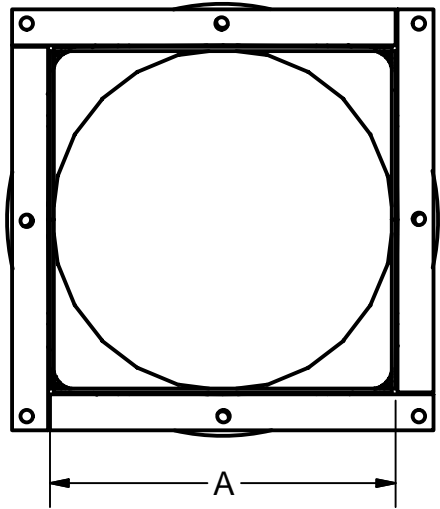


2



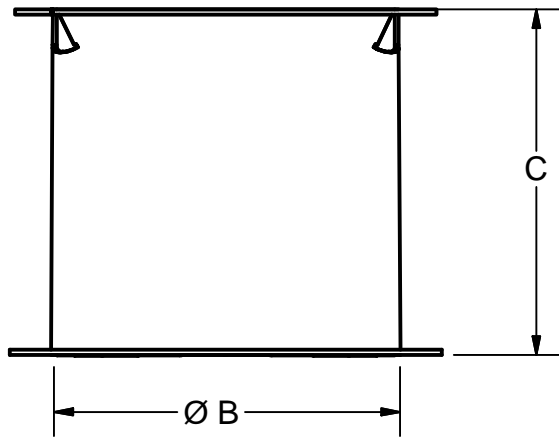
1

UNITS IN INCHES		
A	B	C
6	6	6
8	8	8
10	10	10
12	12	12
14	14	14
16	16	16
18	18	18
20	20	20

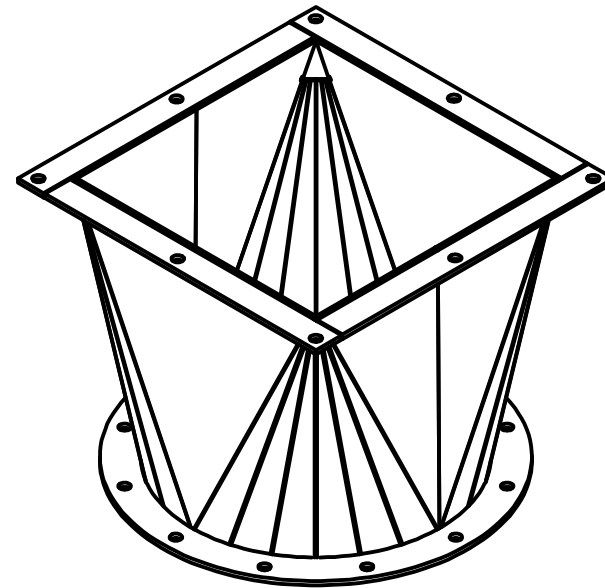


B

A - SQUARE SIZE
 B - ROUND SIZE
 $C = (A + B) \div 2$



A



B



A



1

2

SQUARE TO ROUND TRANSITION